



automatic cable rewriter FT / FTE 046

installation and operating instruction

INTRODUCTION

All information necessary for a correct assembly to ensure trouble free operation of the cable reel are described in the present operating instructions. The warranty given by the manufacturer is only valid if these operating instructions are observed and adhered to. Terms and conditions are available upon request or at <https://www.schill.de/footer/general-terms>.

Additional user manuals for other product variants can be found at <https://www.schill.de/en/downloads> or received on request (see "CONTACT").

GENERAL

Automatic cable rewriter provide for a modern power supply of workstations or the perfect supply of electrical energy, data and signals for mobile devices. The cable is only pulled out when needed and in the required length. The remainder stays neatly stored on the cable reel and is protected from contamination and damage. The power connection is always accessible, but never in the way. The cable length can be easily adapted to a changing work situation. There is no cable chaos, no tripping hazard anymore. If the cable connection is no longer needed, a short pull on the cable stopper will suffice and the cable will roll up neatly. The automatic cable rewriter provides safety and order.

HANDLING

The coiled cable should be pulled out to the required length against the spring tension, but please refrain from the use of undue force. The cable is coiled and fixed in position as described under "LOCKING DEVICE". The cable should never be pushed in manually. If the cable becomes entangled when winding it onto the reel, simply pull the cable out again and then rewind.

MAINTENANCE

The cable reel does not require any maintenance, due to the excellent antifriction properties of the plastic bearing. However, the cable must be checked in regular intervals for damages and replaced if necessary.

CONTINUOUS OPERATION

The cable reel is designed for manual use in workshops. The standard cable reel is fitted with a standard available cable. If used for automated applications when a high degree of mobility is required, the standard applied cable has limitations. A special cable with a support core should be used in those applications. In order to ensure a reliable function, the cable lengths must be reduced by at least 1/3. If you consider automated applications, please contact the manufacturer up-front (see "CONTACT").

SPIRAL SPRING

The spiral spring is subject to natural wear and tear and can result in a fatigue fracture of the spring steel. Based on experience, we recommend changing the spring after approx. 30.000 operations. The term "operations" defines not only a complete winding and unwinding of the spring but includes also a partial movement of the spring. For a safe replacement of the coil spring, please refer to paragraph ("REPLACING THE SPIRAL SPRING").

SPRING LOAD

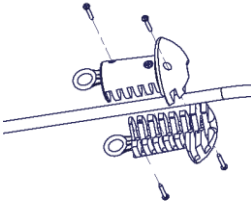
The spring load is set at the factory. It may become necessary to adjust this setting. Before doing so, the locking device should be engaged. Then remove the cable stopper and draw the cable out of the roller guide. The load can be increased by additional windings of the cable anti clockwise and decreased by unwinding the cable in clockwise direction (rewind). Once this has been completed, it is very important that the cable is fed back through the roller guide and secured with the cable stopper. Increasing the spring load reduces the extractable cable length. A reduction of the spring load may affect the rewind function of the reel.

ATTENTION

Do not release the cable when rewinding, the tension of the spring can accelerate the winding speed to such a degree that the swinging cable end could cause injury.

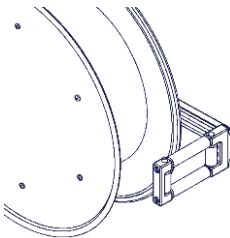
Also damage to the cable and spring could be the result of such an action.

CABLE STOPPER



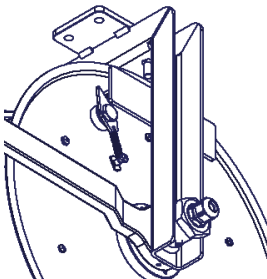
The length of the available cable can be individually adjusted with the provided cable stopper. The reliable clamping adapts to various cable diameters between 6 and 16 mm. For a thicker cable, a larger version is available. The stopper also serves as a safeguard against a full unload of the spring if the cable is unintentional released. It should therefore never be removed.

ROLLER GUIDE



Fitted with four rollers, the roller guide ensures that the cable is correctly guided. It can be operated in a fixed or flexible mode; the roller guide adjusts then to the direction of the pull. The guide ensures that the cable is always guided onto the reel and prevents it from sliding of the drum.

LOCKING DEVICE



ATTENTION

Do not release the cable when rewinding, the tension of the spring can accelerate the winding speed to such a degree that the swinging cable end could cause injury. Also damage to the cable and spring could be the result of such an action.

As a standard feature the cable reel has a disengageable cable locking device. The latching mechanism ensures that the pulled-out cable stays without traction fixed in place. When the cable is being pulled out, the spring detent passes over a track with locking tap. An audible click indicates that the locking device is engaged. If you gently rewind the cable after the clicking sound, you will notice that the spring detent will engage into the notches, locking the cable in position. The cable can be disengaged by gently continuing to pull the cable until the click can no longer be heard. The loaded spring will pull the cable back onto the reel.

The locking device can be dismount and the cable is then constantly under tension.

CONNECTING

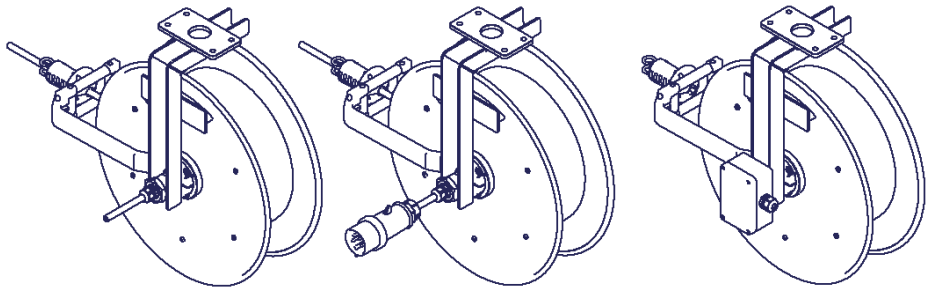
To connect the reel to the mains/supply service a connection cable is mounted. As a standard a plug-in connector is not included in the scope of supply.

Depending on the version, the reel can be delivered with

- o a connection cable only (standard)
- o connection cable including a plug-in connector
- o with an on the reel mounted terminal block

ATTENTION

Make sure the yellow / green earth wire is connected to the fuse terminal marked with the grounding mark and the strain relief is tightened.



EXTENSION CABLE

The included standard cables are designed to tolerate the weight of the pulled-out cable including the cable stopper. Additional weights are not allowed. The mounted cables are limited to the specified lengths. Never use excessive force to unwind the cable as this can damage both the cable and the reel. Should the cable be blocked while coiling up, please pull the cable out again and recoil. Attention should also be paid to section „GENERAL" and "CONTINUOUS OPERATION".

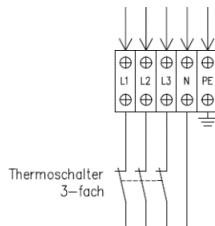
In the case of versions without pull-out cables, the cable is connected as described under "EXCHANGING THE PULL-OUT CABLE."

THERMAL SAFETY GUARDS

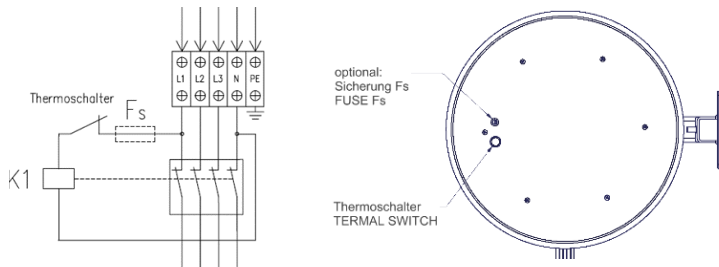
As a standard this type of industrial cable reel is not equipped with a thermal guard. On request a thermal guard can be implemented.

To avoid an overheating of the cable different safety measures can be used.

- The maximum current can be limited through a circuit breaker in the power supply of the reel. Please refer in this case to the information on the product label.
- Through a self-retaining thermal guard. If activated:
 - flat slip ring version (≤ 16 A) the power supply is directly interrupted.



- brush slip ring version (> 16 A) the power supply is interrupted via an electric contactor



To reset the thermal guard, press the red button (thermal switch) after an appropriate cooling time.

automatic cable rewriter FT / FTE 046

installation and operating instruction

LOAD

Please refer to the details on the product label or if the cable is fitted by yourself, please adhere to the details supplied by DIN EN 50565-1 regarding the performance of the used cable.

READY FOR USE

Before commissioning, please conduct an electrical check according to the relevant applicable national standards. After connecting the cable reel to the grid and a power connection has been made, the cable reel should be live.

If this is not the case, please check the thermal safety guards (see "THERMAL SAFETY GUARDS").

TECHNICAL DATA

The cable reels consist of a plastic drum core with coated steel discs and a steel bracket. Is corrosion resistant and has very good winding and running characteristics due to the ball-bearing axle. The stable construction is designed for operation in factories and workshops. The cable reels are supplied as standard without a plug device.

- With 2 spiral springs for approx. 30.000 operations
- Cable locking device
- slip ring depended on versions:
 - Data slip ring 240V AC / 2 A
 - high quality flat slip rings 240 / 400V AC - 16A with double contacts
 - brush slip rings 240 / 400V AC / 25A - 40A with double contacts
- thermal safety guards (not standard):
 - versions with:
 - fuse installed DIN EN 50565-1
 - flat slip rings ($\leq 16A$) 1 or 3-way self-retaining thermal guard ($56^{\circ}C \pm 5^{\circ}C$)
 - brush slip rings ($> 16A$) self-retaining thermal guard ($56^{\circ}C \pm 5^{\circ}C$) with shutdown by contactor (AC-1: 40A-400V / AC-3: 11KW- 400V)
 - On request a contactor for AC-2 applications can be installed.
- Cable stopper with segmented gentle clamp 6 – 16 mm
- flexible and lockable cable guide
- mounting with rigid flange holder
- Mounting fixture swayable wall bracket is available as an accessory
- Mounting fixture swayable bracket for ceiling or floor installation is available as an accessory
- ambient temperature range: $-25^{\circ}C$ bis $40^{\circ}C$
- IP classification: IP 44
- construction: Protection class I

The stated operating temperatures relate only to the standard cable reel as described above and do not apply to e.g. plug-in device. They are only as an exception part of the delivery. Specification for plug-in devices can be found within the relevant standard DIN EN 60390 or respectively DIN VDE 0620.

Additional information with respect to cable types, spring tensions, power loads and weights can be found on the product rating plate, in our current product catalogue and also on our website <https://www.schill.de/en/>

EXCHANGING THE PULL- OUT CABLE

- Disconnect the cable reel and remove it from the operation area
- Remove the cover of the connection box by loosening the screws



ATTENTION

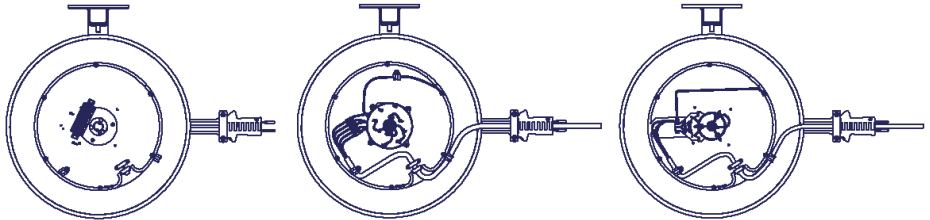
The spiral spring in the coil is under tension. Please ensure that the locking mechanism is activated.

- To release the load of the spring and exchange a damaged cable please follow the instructions below:
 1. Remove the cable stopper and pull the cable out of the roller guide.
 2. Pull the cable slowly until the latch is disengaged. You will feel a pull on the cable. **Please do not release the cable.**

automatic cable revider FT / FTE 046

installation and operating instruction

3. Let the cable slowly be pulled onto the drum and remember the number of turns it takes. This is necessary to adjust later the correct pre-loading of the spring, without damaging drum or spring. Concluding this you should be able to move the drum freely and the latch should not be engaged.
4. Remove the defective cable from the drum including the strain relief clamps.
5. Depended on the version, remove the cable the variant terminals.



6. Remove strain relief and cable clamps by loosening the screw.
7. Remove the pull-out cable to be replaced with the rubber grommet from the spool

- Please follow the instruction in reverse order for re-assembly
- If the assembly/spring is ready for loading: Hold the cable and turn the drum including cable as often as You counted while unloading. Concluding please ensure the latch is engaged (see „ LOCKING DEVICE “)
- Put the cable through the roller guide and mount the cable stopper.
- After completing the re-assembly disengage the latch and pull out the cable completely and then rewind the check the function.
- If necessary, please adjust the spring load according to section „ SPRING LOAD “
- Please check before the final mounting all whether the cable reel is working correct (see "READY FOR USE")

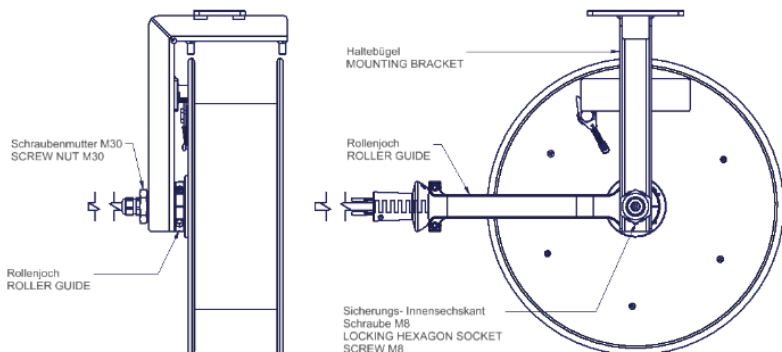
EXCHANGING THE SPRING

- Disconnect the cable reel and remove it from the operation area
- To release the load of the spring and exchange a damaged spring please follow the instructions below:
 1. Remove the cable stopper and pull the cable out of the roller guide.
 2. Pull the cable slowly until the latch is disengaged. You will feel a pull on the cable. **Please do not release the cable.**

ATTENTION

The spiral spring in the coil is under tension. Please ensure that the locking mechanism is activated.

3. Let the cable slowly be pulled onto the drum and remember the number of turns it takes. This is necessary to adjust later the correct pre-loading of the spring, without damaging drum or spring. Concluding this you should be able to move the drum freely and the latch should not be engaged.
- Versions with distribution terminal or with cable cland and brass axle extension: please remove the relevant connection devices.
 - Distribution terminal: disconnect the slip rings and the profile rail. Disconnect the retaining screw of the distribution box. Take of the distribution box.
 - No distribution terminal: (slip ring type 16A or slip ring type 25A/40A) disconnect the connection lead and dismantle connection cable inclusive cable cland and brass axle extension.
 - Dismantle the mounting bracket and the roller guide. Therefore, loosen the M30 nut and the M8 allen screw, also take of the back plate.



automatic cable rewriter FT / FTE 046

installation and operating instruction

- Undo the retaining ring on the axle.
- Now you can replace the defective spring. **There are 2 springs installed, which can differ from the spring force and material thickness.**

ATTENTION

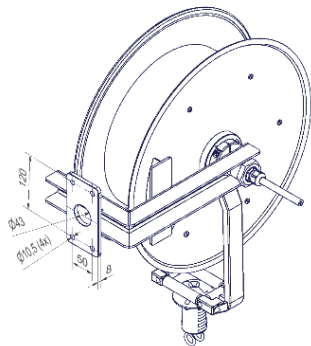
Due to the manufacturing design the spring is under tension and could unwind very fast and cause injuries if handled improper.

- Please follow the instruction in reverse order for re-assembly. **Take attention while mounting the M8 allen screw it needs to fit in intended position in the axle.**
- If the assembly/spring is ready for loading: Hold the cable and turn the drum including cable as often as You counted while unloading. Concluding please ensure the latch is engaged (see „LOCKING DEVICE “)
- Put the cable through the roller guide and mount the cable stopper.
- After completing the re-assembly disengage the latch and pull out the cable completely and then rewind the check the function.
- If necessary, please adjust the spring load according to section „SPRING LOAD “
- Please check before the final mounting all whether the cable reel is working correct (see "READY FOR USE").

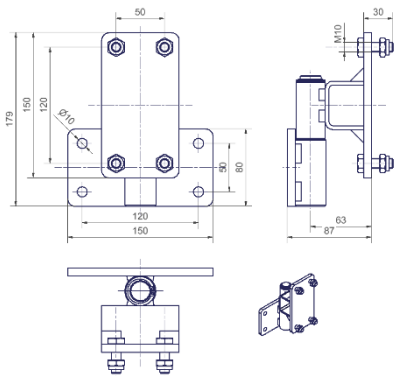
FITTING INSTRUCTION

As standard, the automatic cable reels are equipped with a rigid flange mount for wall or ceiling mounting. As accessories, not included in the scope of delivery, swivel wall holders WB FT 046 (art. no.: 600 00 060 000) or swivel ceiling/floor holders DB 046 (item no.: 600 00 050 000) are available. Fixing screws are generally not included in the scope of delivery.

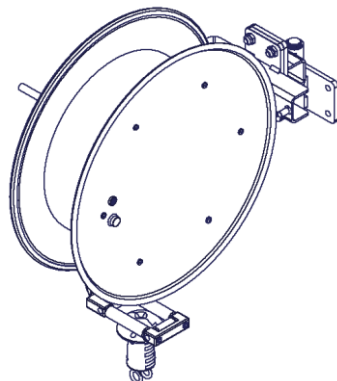
Montage with rigid flange holder



swayable wall bracket WB FT 046



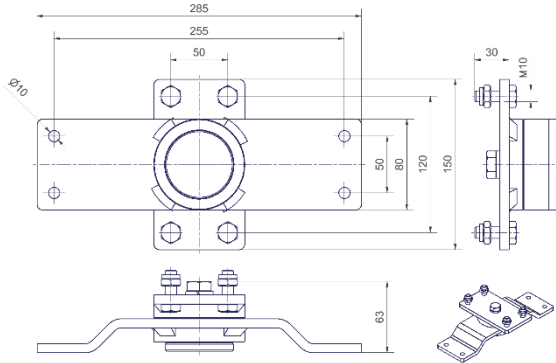
wall installation



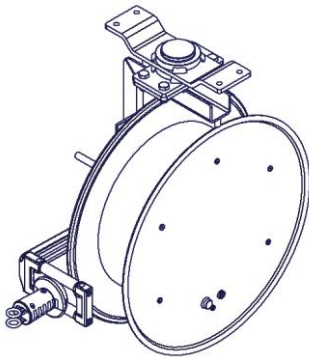
The extension cable swivels on an 80° axis. The swivel roller guide is to be adjusted to the cable extension direction and secured (screw connection) in this position.

automatic cable rewriter FT / FTE 046 installation and operating instruction

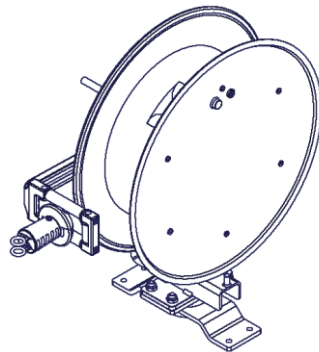
swayable ceiling / floor bracket DB 046



ceiling installation



floor installation



The extension cable swivels on a 360° axis. The swivel roller guide is to be adjusted to the cable extension direction and secured (screw connection) in this position.



ATTENTION

If repeated over-tightening, the connection cable can be mechanically stressed and torn off.

INSTALLATION HEIGHT

The installation height of the cable rewriter is not limited. The maximum extension length is the specified cable length. The standard cables are designed to withstand the weight of the extended cable included cable stopper. Additional tensile forces (cause by additional weights for example) are not permitted.

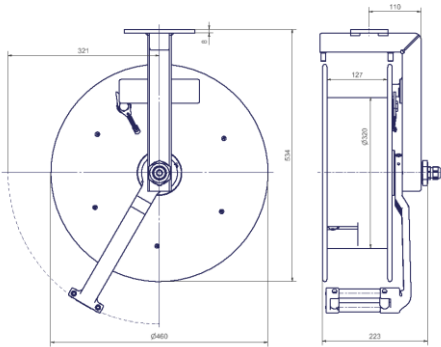
When the cable is pull-out horizontally due to the weight of cable a slack occurs. This is about 10% of the cable pull-out length.

DIMENSION FT / FTE 046

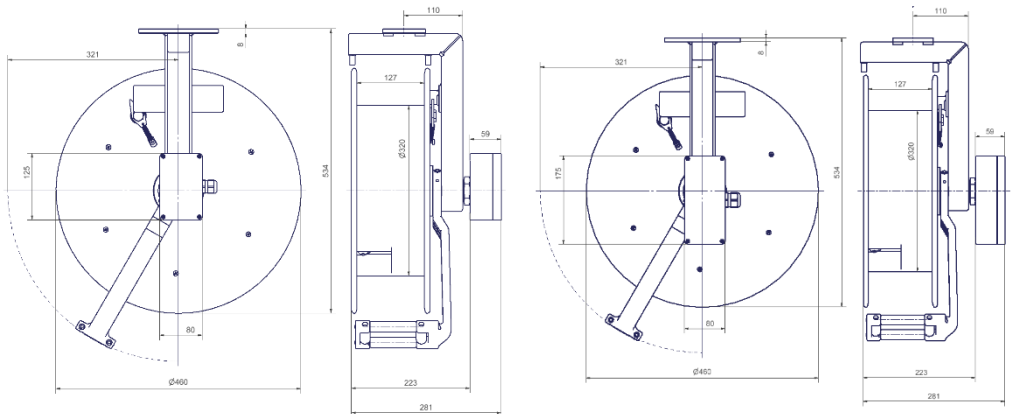
The dimensions, weights, lengths, colours and traction are subject to modifications. We cannot rule out discrepancies and we reserve the right to make technical changes to the product without giving advance notice.

automatic cable rewriter FT / FTE 046 installation and operating instruction

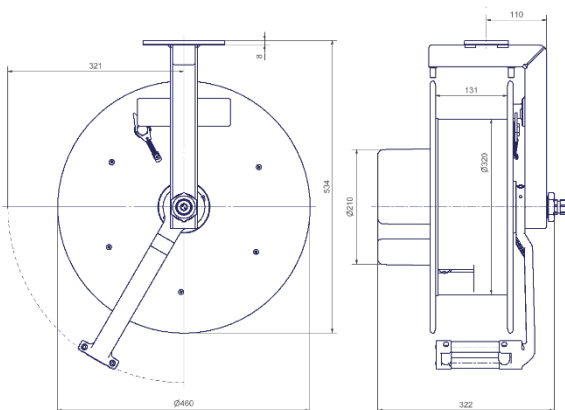
FT 046 2A/16A without distribution box



FT 046 2A/16A with distribution box



FT 046 16A (15-20 pol.) / 25/40v



automatic cable rewriter FT / FTE 046

installation and operating instruction

TIGHTENING TORQUE

Gehäuseschrauben <i>cover screws</i>	0,8 Nm
Sicherungsschraube, M8 <i>Locking screw M8</i>	0,8 Nm
Zugentlastung <i>strain relief</i>	0,8 Nm
Kabelstopper <i>Cable stopper</i>	0,8 Nm
Schraubenmutter M30 <i>Screw nut M30</i>	40 Nm
Kabelverschraubung <i>Cable gland</i>	2,5Nm

elektrische Anschlüsse <i>electrical connections</i>	0,5 Nm
MS-Schleifring Mutter M3,5 <i>MS slip ring nut M3,5</i>	0,3 - 0,35 Nm
MS-Schleifring Schraube M3 <i>MS slip ring screw M3</i>	0,6 - 0,7 Nm
Doppelschenkelhalter M5/M6/M8 <i>double brush holder M5/M6/M8</i>	2,8 / 4,8 / 10 Nm
Schleifringkörper M5/M6/M8 <i>Slip ring body M5/M6/M8</i>	2,8 / 4,8 / 10 Nm

DECLARATION OF CONFORMITY

Declarations of conformity are available upon request or at <https://www.schill.de/en/downloads/>

SPARE PART ORDER

If you require spare parts, please contact our local distribution partner or give us a ring on 0049 711/ 578807-0 or send a mail at sales@schill.de. Please have the product number or the part number ready.

Artikel-Nummer
ARTICLE NUMBER

Bezeichnung
INDICATION

Leistungsdaten
TECHNICAL DATA

Bemerkung
REMARKS



CONTACT

Administration Fellbach

Schill GmbH & Co. KG
Bruck Straße 44
70734 Fellbach
Telefon: [+49 \(0\)711 578807-0](tel:+497115788070)
Telefax: [+49 \(0\)711 578807-44](tel:+4971157880744)
E-Mail: info@schill.de

Manufacture Laichingen

Schill GmbH & Co. KG
Hirschstr. 81
89150 Laichingen
Telefon: [+49 \(0\)7333 9648-0](tel:+49733396480)
Telefax: [+49 \(0\)7333 9648-44](tel:+497333964844)
E-Mail: info@schill.de